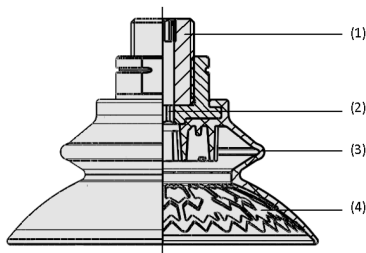


Bellows Suction Cups SAXB

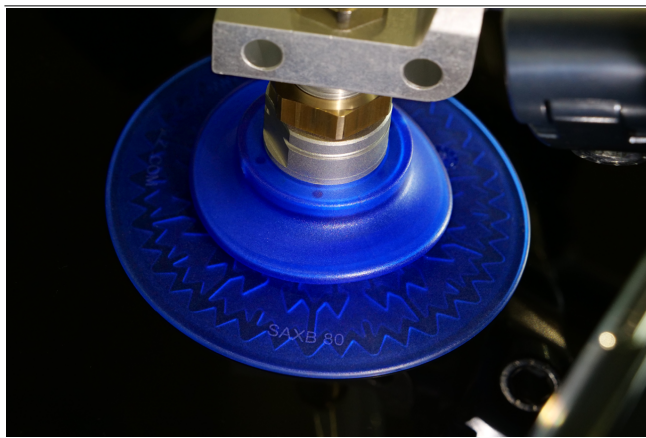
Suction area (Ø) from 20 mm to 120 mm



Bellows Suction Cups SAXB



System design Bellows Suction Cups SAXB



Bellows suction cups SAXB for handling formed sheet metal parts

Suitability for industry specific applications

Application

- High-speed bellows suction cup for best adaptability on curved surfaces
- Handling of workpieces with oily surfaces
- Loading and unloading of CNC metalworking and laser cutting machines
- Handling of sheet metal blanks during destacking
- Handling of workpieces with curved surfaces

Design

- Round bellows suction cup (3) made of wear-resistant material Elastodur (ED-85)
- Flexible sealing lip with structured friction surface (4)
- Connection nipple made of aluminum positively overmolded (2)
- Available as mounted suction cup with different connection types and wrench flat for easy and quick assembly (1)

Product highlights

- Extremely adaptable bellows suction cup for optimum suction capacity on sheet metal and car body parts
- Specially structured friction surface for maximum holding force at high accelerations, especially on oily surfaces
- Very good adaptation to different workpiece contours due to high stroke of the suction cup
- Flexible sealing lip seals very well even on curved workpiece surfaces

Bellows Suction Cups SAXB

Suction area (Ø) from 20 mm to 120 mm

Designation code Bellows Suction Cups SAXB

SAXB	-	80	-	ED-85	-	G3/8-IG
1		2		3		4

1 – Abbreviated designation

Code	Version
SAXB	1.5 folds

2 – Suction area

Code	Diameter in mm
20...120	ø 20 to 120

3 – Material

Code	Material
ED-85	Elastodur

4 – Connection

Code	Connection
G1/4-AG	G1/4-AG (AG = male (M))
G1/4-IG	G1/4-IG (IG = female (F))
G3/8-AG	G3/8-AG
G3/8-IG	G3/8-IG
M10-AG	M10-AG
M16-AG	M16-AG
NPT3/8-IG	NPT3/8-IG
RA	Rectangular adapter

Bellows suction cup SAXB, available in various diameters, is supplied with a positively overmolded connection nipple.

Ordering data Bellows Suction Cups SAXB

Type		Vacuum connection:				
		G3/8"-F	G1/4"-F	G1/4"-M	G3/8"-M	
SAXB	20	10.01.42.00030	10.01.42.00007	10.01.42.00028	10.01.42.00029	-
SAXB	30	-	10.01.42.00005	10.01.42.00034	-	10.01.42.00037 10.01.42.00035
SAXB	40	-	10.01.42.00006	10.01.42.00040	-	10.01.42.00042 10.01.42.00041
SAXB	50	10.01.42.00008	10.01.42.00051	-	10.01.42.00052	10.01.42.00046
SAXB	60	10.01.42.00004	10.01.42.00011	10.01.42.00027	10.01.42.00022	-
SAXB	80	10.01.42.00002	10.01.42.00010	10.01.42.00013	10.01.42.00014	-
SAXB	100	10.01.42.00003	10.01.42.00050	10.01.42.00049	10.01.42.00055	-
SAXB	120	10.01.42.00009	10.01.42.00060	10.01.42.00059	10.01.42.00061	-

Type		Vacuum connection:			Rectangular adapter	NPT3/8-F
		M10-M	M16-M			
SAXB	20	10.01.42.00032	10.01.42.00078	-	10.01.42.00033	10.01.42.00031
SAXB	30	-	10.01.42.00085	10.01.42.00038 10.01.42.00039 10.01.42.00036	-	-
SAXB	40	-	10.01.42.00092	10.01.42.00044 10.01.42.00045 10.01.42.00043	-	-
SAXB	50	10.01.42.00053	10.01.42.00099	-	10.01.42.00054	10.01.42.00047
SAXB	60	10.01.42.00023	10.01.42.00024	-	10.01.42.00025	10.01.42.00026
SAXB	80	10.01.42.00015	10.01.42.00016	-	10.01.42.00017	10.01.42.00018
SAXB	100	10.01.42.00056	10.01.42.00065	-	10.01.42.00057	10.01.42.00048
SAXB	120	10.01.42.00062	10.01.42.00070	-	10.01.42.00063	10.01.42.00058

Bellows Suction Cups SAXB

Suction area (Ø) from 20 mm to 120 mm

Technical data Bellows Suction Cups SAXB

Type		Suction force (-600 mbar) [N]*	Lateral force [N]**	Lateral force oily surface [N]***	Volume [cm ³]	Material hardness [Shore A]	Workpiece radius min. (convex) [mm]	Hose inner diameter (recom.) d [mm]****
SAXB	20	18	13	10	1.9	85	8	4
SAXB	30	24	24	20	5.3	85	13	4
SAXB	40	42	45	37	8.7	85	18	4
SAXB	50	58	78	67	18.9	85	22	6
SAXB	50	58	78	67	18.9	85	22	4
SAXB	60	90	105	81	31.9	85	30	6
SAXB	60	90	105	81	31.9	85	30	4
SAXB	80	150	176	155	70.7	85	33	6
SAXB	80	150	176	155	70.7	85	33	4
SAXB	80	150	160	155	70.7	85	33	6
SAXB	100	210	264	243	138.4	85	45	6
SAXB	100	210	264	243	138.4	85	45	4
SAXB	100	210	240	243	138.4	85	45	4
SAXB	120	275	479	380	251.7	85	68	8
SAXB	120	275	479	380	251.7	85	68	6
SAXB	120	275	479	380	251.7	85	68	4

*The specified suction forces are theoretical values at a vacuum of -0.6 bar and with a smooth, dry workpiece surface - they do not include a safety factor

**The specified lateral forces are values measured at a vacuum of -0.6 bar with a dry, smooth, flat workpiece surface. Depending on the workpiece surface and its quality, the actual values may deviate from these values.

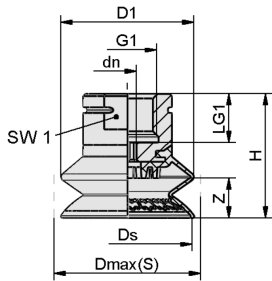
***The specified lateral forces are values measured at a vacuum of -0.6 bar with a dry or oiled and smooth, flat workpiece surface. Depending on the workpiece surface and its quality the actual values may deviate from these values.

****The recommended hose diameter is based on a hose length of approx. 2 m

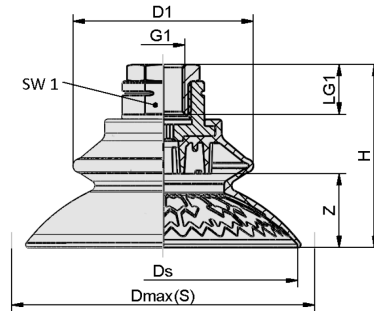
Bellows Suction Cups SAXB

Suction area (\emptyset) from 20 mm to 120 mm

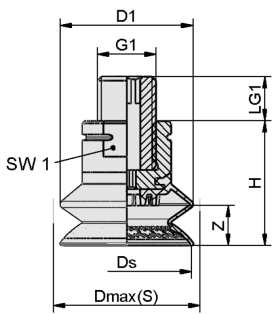
Design data Bellows Suction Cups SAXB



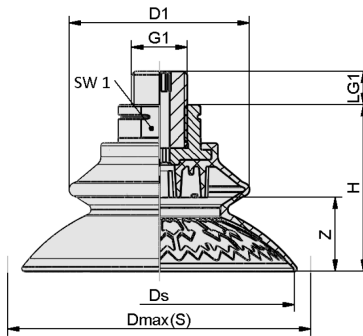
SAXB 20 - 50 IG



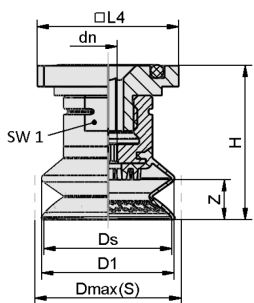
SAXB 60 - 120 IG



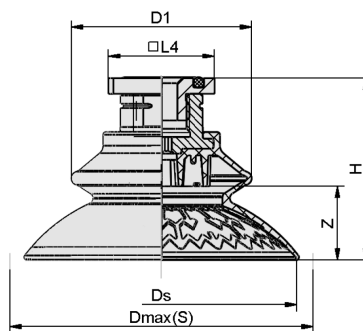
SAXB 20 - 50 AG



SAXB 60 - 120 AG



SAXB 20 - 50 RA



SAXB 60 - 120 RA

Bellows Suction Cups SAXB

Suction area (Ø) from 20 mm to 120 mm

Design data Bellows Suction Cups SAXB

Type	dn [mm]	Dmax(S) [mm]	Ds [mm]	D1 [mm]	G1	H [mm]	LG1 [mm]	Length L4 [mm]	SW1 [mm]	Z (Stroke) [mm]
SAXB 20 ED-85 G1/4-IG	4.1	23.5	20.4	21	G1/4"-F	25.0	11	-	17	5.8
SAXB 20 ED-85 G1/4-AG	4.1	23.5	20.4	21	G1/4"-M	25.0	10	-	17	5.8
SAXB 20 ED-85 RA	4.1	23.5	20.4	21	-	31.7	-	31.8	17	5.8
SAXB 20 ED-85 G3/8-AG	4.1	23.5	20.4	21	G3/8"-M	25.0	10	-	17	5.8
SAXB 20 ED-85 G3/8-IG	4.1	23.5	20.4	21	G3/8"-F	41.0	9	-	17	5.8
SAXB 20 ED-85 M10-AG	4.1	23.5	20.4	21	M10-M	25.0	12	-	17	5.8
SAXB 20 ED-85 M16-AG	4.1	23.5	20.4	21	M16-M	25.0	11	-	17	5.8
SAXB 20 ED-85 G1/8-IG	4.1	23.5	20.4	21	G1/8"-F	29.0	14	-	17	5.8
SAXB 30 ED-85 G1/4-IG	4.1	33.0	28.9	30	G1/4"-F	28.0	11	-	17	9.0
SAXB 30 ED-85 G1/4-AG	4.1	33.0	28.9	30	G1/4"-M	28.0	10	-	17	9.0
SAXB 30 ED-85 G3/8-AG	4.1	33.0	28.9	30	G3/8"-M	28.0	10	-	17	9.0
SAXB 30 ED-85 G3/8-IG	4.1	33.0	28.9	30	G3/8"-F	44.0	9	-	17	9.0
SAXB 30 ED-85 M10-AG	4.1	33.0	28.9	30	M10-M	28.0	12	-	17	9.0
SAXB 30 ED-85 RA	4.1	33.0	28.9	30	-	34.7	-	31.8	17	9.0
SAXB 30 ED-85 M16-AG	4.1	33.0	28.9	30	M16-M	28.0	11	-	17	9.0
SAXB 30 ED-85 G1/8-IG	4.1	33.0	28.9	30	G1/8"-F	32.0	14	-	17	9.0
SAXB 40 ED-85 G1/4-IG	4.1	44.0	39.4	34	G1/4"-F	28.8	11	-	17	9.8
SAXB 40 ED-85 G1/4-AG	4.1	44.0	39.4	34	G1/4"-M	28.8	10	-	17	9.8
SAXB 40 ED-85 G3/8-AG	4.1	44.0	39.4	34	G3/8"-M	28.8	10	-	17	9.8
SAXB 40 ED-85 G3/8-IG	4.1	44.0	39.4	34	G3/8"-F	44.8	9	-	17	9.8
SAXB 40 ED-85 M10-AG	4.1	44.0	39.4	34	M10-M	28.8	12	-	17	9.8
SAXB 40 ED-85 RA	4.1	44.0	39.4	34	-	35.5	-	31.8	17	9.8
SAXB 40 ED-85 M16-AG	4.1	44.0	39.4	34	M16-M	28.8	11	-	17	9.8
SAXB 40 ED-85 G1/8-IG	4.1	44.0	39.4	34	G1/8"-F	32.8	14	-	17	9.8
SAXB 50 ED-85 G3/8-IG	6.1	55.0	49.6	44	G3/8"-F	36.9	13	-	22	11.6
SAXB 50 ED-85 G1/4-AG	6.1	55.0	49.6	44	G1/4"-M	36.9	10	-	22	11.6
SAXB 50 ED-85 G1/4-IG	6.1	55.0	49.6	44	G1/4"-F	41.9	15	-	22	11.6

Bellows Suction Cups SAXB

Suction area (Ø) from 20 mm to 120 mm

Type	dn [mm]	Dmax(S) [mm]	Ds [mm]	D1 [mm]	G1	H [mm]	LG1 [mm]	Length L4 [mm]	SW1 [mm]	Z (Stroke) [mm]
SAXB 50 ED-85 G3/8-AG	6.1	55.0	49.6	44	G3/8"-M	36.9	10	-	22	11.6
SAXB 50 ED-85 M10-AG	4.1	55.0	49.6	44	M10-M	36.9	12	-	22	11.6
SAXB 50 ED-85 RA	6.1	55.0	49.6	44	-	41.6	-	31.8	22	11.6
SAXB 50 ED-85 M16-AG	6.1	55.0	49.6	44	M16-M	36.9	11	-	22	11.6
SAXB 60 ED-85 G1/4-IG	6.1	66.0	59.6	50	G1/4"-F	46.3	15	-	22	14.5
SAXB 60 ED-85 G1/4-AG	6.1	66.0	59.6	50	G1/4"-M	41.3	10	-	22	14.5
SAXB 60 ED-85 RA	6.1	66.0	59.6	50	-	46.0	-	31.8	22	14.5
SAXB 60 ED-85 G3/8-IG	6.1	66.0	59.6	50	G3/8"-F	41.3	13	-	22	14.5
SAXB 60 ED-85 G3/8-AG	6.1	66.0	59.6	50	G3/8"-M	41.3	10	-	22	14.5
SAXB 60 ED-85 M10-AG	4.1	66.0	59.6	50	M10-M	41.3	12	-	22	14.5
SAXB 60 ED-85 M16-AG	6.1	66.0	59.6	50	M16-M	41.3	11	-	22	14.5
SAXB 80 ED-85 G3/8-IG	6.1	91.0	81.0	55	G3/8"-F	50.0	13	-	22	22.2
SAXB 80 ED-85 G1/4-IG	6.1	91.0	81.0	55	G1/4"-F	55.0	15	-	22	22.2
SAXB 80 ED-85 G1/4-AG	6.1	91.0	81.0	55	G1/4"-M	50.0	10	-	22	22.2
SAXB 80 ED-85 G3/8-AG	6.1	91.0	81.0	55	G3/8"-M	50.0	10	-	22	22.2
SAXB 80 ED-85 M10-AG	4.1	91.0	81.0	55	M10-M	50.0	12	-	22	22.2
SAXB 80 ED-85 M16-AG	6.1	91.0	81.0	55	M16-M	50.0	11	-	22	22.2
SAXB 80 ED-85 RA	6.1	91.0	81.0	55	-	54.7	-	31.8	22	22.2
SAXB 100 ED-85 G3/8-IG	8.1	109.0	99.6	79	G3/8"-F	56.6	13	-	22	25.8
SAXB 100 ED-85 G1/4-AG	6.1	109.0	99.6	79	G1/4"-M	56.6	10	-	22	25.8
SAXB 100 ED-85 G1/4-IG	8.1	109.0	99.6	79	G1/4"-F	61.5	15	-	22	25.8
SAXB 100 ED-85 G3/8-AG	6.1	109.0	99.6	79	G3/8"-M	56.6	10	-	22	25.8
SAXB 100 ED-85 M10-AG	4.1	109.0	99.6	79	M10-M	56.6	12	-	22	25.8
SAXB 100 ED-85 RA	8.1	109.0	99.6	79	-	61.3	-	31.8	22	25.8
SAXB 100 ED-85 M16-AG	6.1	109.0	99.6	79	M16-M	56.6	11	-	22	25.8
SAXB 120 ED-85 G3/8-IG	8.1	131.0	120.6	95	G3/8"-F	67.8	13	-	22	32.0
SAXB 120 ED-85 G1/4-AG	6.1	131.0	120.6	95	G1/4"-M	67.8	10	-	22	32.0
SAXB 120 ED-85 G1/4-IG	8.1	131.0	120.6	95	G1/4"-F	72.8	15	-	22	32.0

Bellows Suction Cups SAXB

Suction area (Ø) from 20 mm to 120 mm

Type	dn [mm]	Dmax(S) [mm]	Ds [mm]	D1 [mm]	G1	H [mm]	LG1 [mm]	Length L4 [mm]	SW1 [mm]	Z (Stroke) [mm]
SAXB 120 ED-85 G3/8-AG	6.1	131.0	120.6	95	G3/8"-M	67.8	10	-	22	32.0
SAXB 120 ED-85 M10-AG	4.1	131.0	120.6	95	M10-M	67.8	12	-	22	32.0
SAXB 120 ED-85 RA	8.1	131.0	120.6	95	-	72.5	-	31.8	22	32.0
SAXB 120 ED-85 M16-AG	6.1	131.0	120.6	95	M16-M	67.8	11	-	22	32.0

Multimedia product presentation

Medium	Link
Application video	https://vimeo.com/600219531/a848985de9
Product video	https://vimeo.com/600219531